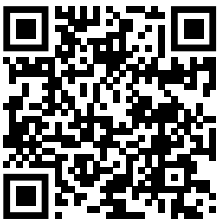




# Quick Start Guide

## Fronius Smart Meter TS 100A-1



[manuals.fronius.com/  
html/4204260350](https://manuals.fronius.com/html/4204260350)

**FIND MORE  
INFORMATION**



42,0410,2497

007-23032023

<b>Technical Data - General</b>	
Nominal voltage (one-phase) / Operating range	230 V / 161 - 276 V
Nominal frequency / Tolerance	50 - 60 Hz / 45 - 65 Hz
Nominal / Maximum current	5 A / 100 A
Powerfactor range (EN/IEC 62053-21, EN/IEC 62053-23)	cosφ 0.5 ind to 0.8 cap
Permitted ambient temperature	from -25° to +65°C
Mounting	DIN rail 35 mm
IP range (EN60529)	IP51 / IP20 (Front / Connections)

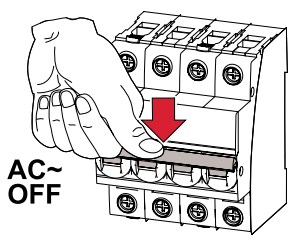
<b>Communication</b>	
Standard	RS485 - 3 conductors
Protocol	Modbus RTU
Min. Softwareversion	Datamanager 2.0: 3.16.1 / Fronius Symo Hybrid: 1.16.1 / Fronius GEN 24: 1.12.1

<b>Screw terminal</b>	
Measuring input	max. 25 mm <sup>2</sup>
Output	min. 0,05 mm <sup>2</sup>
Recommended torque	Measuring input: max. 2,8 Nm Output: max. 0,5 Nm

Detailed, country-specific warranty terms are available on: [www.fronius.com/solar/warranty](http://www.fronius.com/solar/warranty)

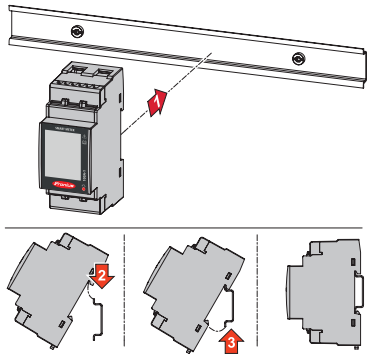
AC~

1



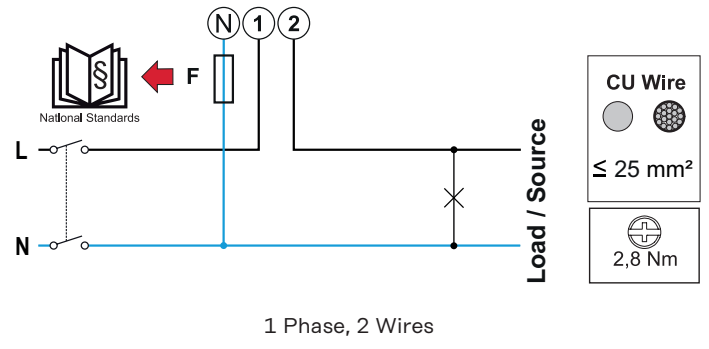
Mounting

2

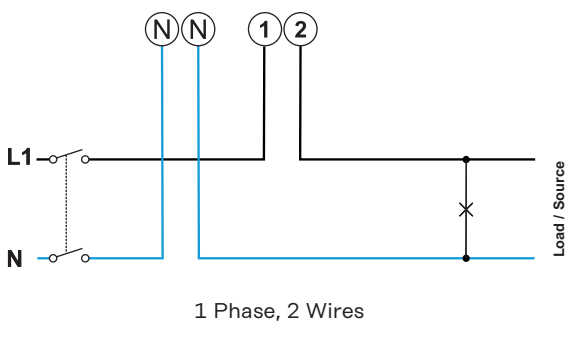


Power Wiring

3a

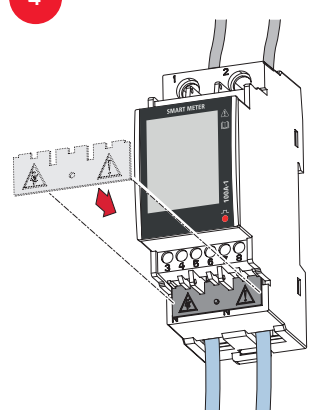


3b



Protective Cover

4



Data Wiring

5

CU Wire  
 (min CAT 5)  
 ●  
 ≥ 0,05 mm<sup>2</sup>  
 ⊖  
 0,4 Nm

SnapInverter		
Smart Meter	Modbus	
4	D+	
5	D-	
6	-	

GEN24		
Smart Meter	Modbus	
4	M1+	
5	M1-	
6	GND	

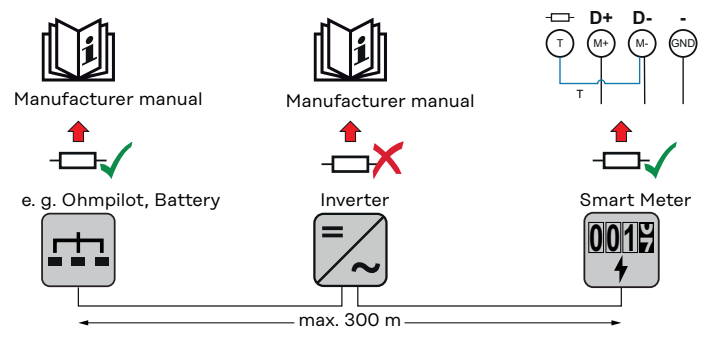
Terminating Resistor

6

CU Wire  
 ●  
 ≥ 0,05 mm<sup>2</sup>  
 ⊖  
 0,4 Nm

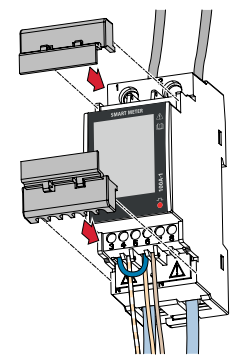
Bypass (cable)		
	T	M-
■	3	5

7

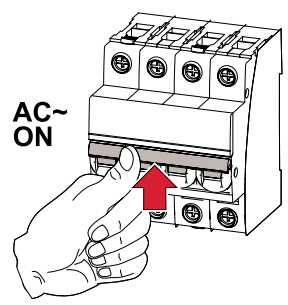


Close & Commissioning

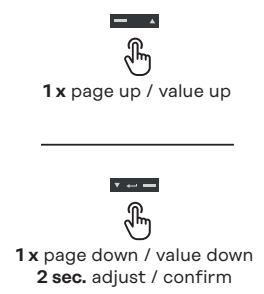
8



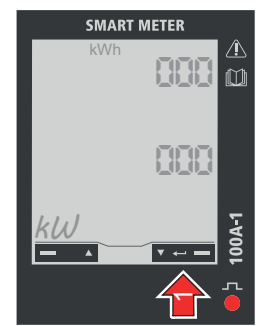
9



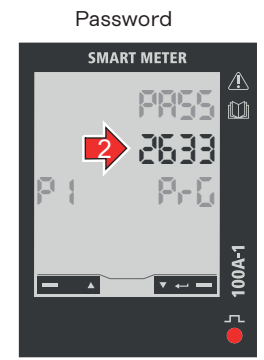
10



11



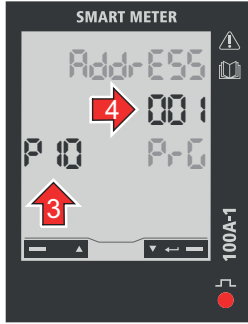
12



Factory default: 2633

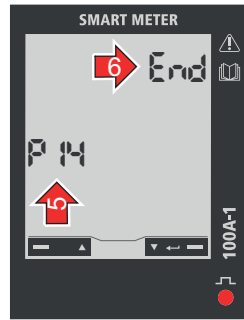
13

Modbus Address



Factory default: **001**

14



Exit

15

